



P_K_.0603.2ST.

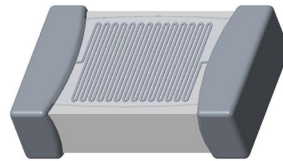
Platinum thin film RTD

For the automatic assembling on PCBs

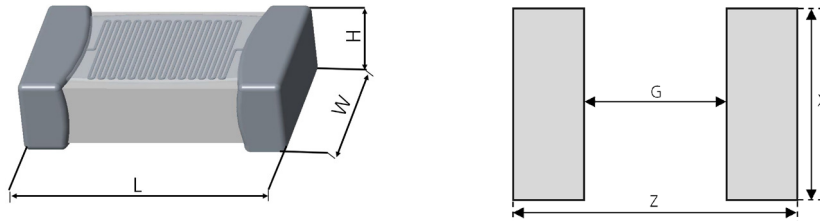
Benefits & Characteristics

- Excellent long-term stability and thermal cycling
- Low self-heating
- Fast response time

Product image



Illustration¹⁾



Dimensions

Dimensions in mm	L	W	H
	1.6 ± 0.15	0.8 ± 0.15	0.5 ± 0.1
Land pattern in mm	Z	G	X
	2.30	0.80	0.93

Technical Data

Electrical Specifications

Operating temperature range	-50 °C to +150 °C	
Nominal resistance	100 Ω at 0 °C, 1000 Ω at 0 °C	
Characteristic	IEC 60751	
Tolerance class (dependent on temperature range)	IST AG reference	
	IEC 60751 F0.15	A
	IEC 60751 F0.3	B
	IEC 60751 F0.6	C
	with ITI = absolute value of temperature in °C	
Temperature coefficient	3850 ppm/K	
Temperature range	-50 °C to +150 °C (see general notes 1.1)	
Temperature dependence of resistivity	according to IEC 60751:	
	-50 to 0 °C $R(T) = R_0 \times (1 + AxT + BxT^2 + Cx[T-100] \times T^3)$	
	0 to +150 °C $R(T) = R_0 \times (1 + AxT + BxT^2)$	
	$A = 3.9083 \times 10^{-3} \times \text{°C}^{-1}$, $B = -5.775 \times 10^{-7} \times \text{°C}^{-2}$	
	$C = -4.183 \times 10^{-12} \times \text{°C}^{-4}$	
	R_0 = resistance value in Ω at 0°C	
	T = temperature in accordance with ITS90	



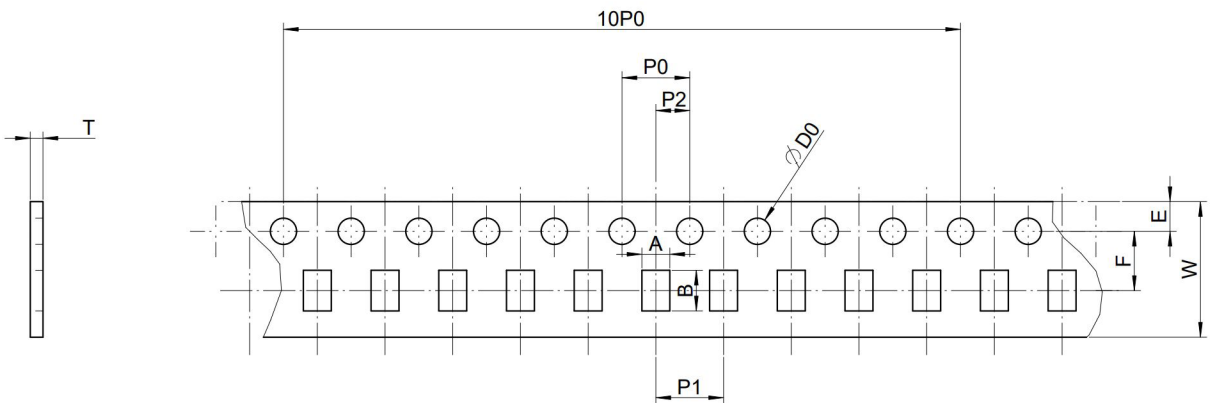
General Specifications

Pads (soldering connection)	Soft-Termination galvanic tin plated with nickel barrier layer		
Soldering (according to J-STD-002E) see general notes 1.3	1. Solderability: Test A and A1 2. Resistance to soldering heat: Test A and A1		
Measuring current	Pt 100	Pt 500	Pt 1000
(Self-heating has to be considered)	1 mA	0.5 mA	0.3 mA
Long-term stability:	< 0.04 % at 1000 h at 130 °C		
Taping & Packaging	EIA-481 (for dimensions see general notes 1.2)		
Storage Property	12 months (original packaging and dry conditions)		
REACH + RoHs Compliance	Yes		
Special	Use in dry environment only		

General notes

1.1 The thermal coefficient of expansion of the circuit board has to be considered

1.2 Taping and Packaging:



Item	A	B	W	E	F	P0	P1	P2	D0	T	10P0
Dimension	1.070	1.78	8.0	1.75	3.5	4.0	4.0	2.0	1.55	0.6	40.0
min. Tol.	-0.05	-0.05	-0.1	-0.05	-0.05	-0.1	-0.1	-0.05	-0.05	-0.03	-0.1
max. Tol.	0.05	0.05	0.1	0.05	0.05	0.1	0.1	0.05	0.05	0.03	0.1

Dimensions in mm

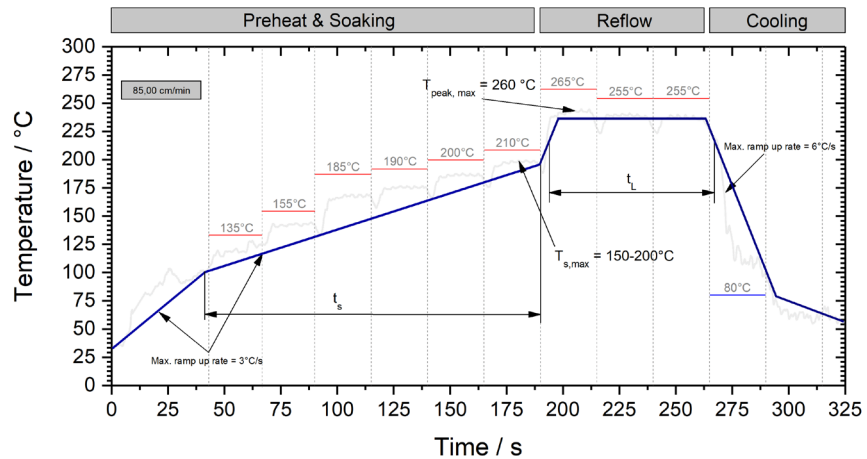
Packaging unit in tape and reel, special variants, small quantities or other packaging unit are available on request.



1.3 Soldering and Reflow profile

For soldering IST recommends lead free solder paste (Material: SnAgCu 96.5/3.0/0.5) and a temperature characteristic (reflow profile) for reflow soldering according to JEDEC J-STD-002E. The solderability was tested with following assembly conditions:

PCB Material: FR4 (PCB Layer: 2)
 PCB thickness: 1.6 mm
 Dimensions: 72 x 32 mm
 Solder Paste: KOKI „S3X58-M406“ (Pb-free assembly)



Profile parameter	Temperature range / °C	Heating rate / °C	Time / s
Ramp to preheat	RT to 150	1.9 - 3	
Preaheat /Soak	$T_{s,min} = 100, T_{s,max} = 200$	1.9 - 3	$t_{s,min} = 60, t_{s,max} = 160$
Ramp to Peak	180 - 255	0.6	
Reflow	$250 \pm 5, T_{peak,max} = 260$		60 to 120, $t_{peak,max} = 30$
Cooling	255 - RT	1.6 - 3	

1.4 Important notes:

- The solder or additional fluxes should be halogen-free, mild and non-activated.
- After soldering a proper cleaning with pH-neutral defluxing material is recommended.
- The profile has a significant impact on the solder joint performance as solderability, wettability and strength.
- The soak profile and all other data serve as a guideline and cannot be regarded as binding statements or guaranteed value. They serve as a starting point for process development.
- Especially, a high mix of components or large board sizes, might need to develop a different soldering profile.
- Long-term stability in the application and chemical resistance needs to be approved by the customer.
- Innovative Sensor Technology IST always incumbent on the customer to test and approve whether the IST AG product is suitable for a use in a particular customer application.



Order Information



Description	Tolerance class	Packaging type	Order number
Other tolerances, values of resistance are available on request			



Nominal resistance: 100 Ω at 0 °C

P0K1.0603.2ST.A	IEC 60751 F0.15 (A)	packed in bags	151139
P0K1.0603.2ST.A.S	IEC 60751 F0.15 (A)	taped on reel (sensor side up)	151140
P0K1.0603.2ST.A.S	IEC 60751 F0.15 (A)	taped on reel (sensor side down)	151141
P0K1.0603.2ST.B	IEC 60751 F0.3 (B)	packed in bags	151133
P0K1.0603.2ST.B.S	IEC 60751 F0.3 (B)	taped on reel (sensor side up)	151132
P0K1.0603.2ST.B.S	IEC 60751 F0.3 (B)	taped on reel (sensor side down)	151138
P0K1.0603.2ST.C	IEC 60751 F0.6 (C)	packed in bags	151127
P0K1.0603.2ST.C.S	IEC 60751 F0.6 (C)	taped on reel (sensor side up)	151126
P0K1.0603.2ST.C.S	IEC 60751 F0.6 (C)	taped on reel (sensor side down)	151130



Nominal resistance: 1000 Ω at 0 °C

P1K0.0603.2ST.A	IEC 60751 F0.15 (A)	packed in bags	152524
P1K0.0603.2ST.A.S	IEC 60751 F0.15 (A)	taped on reel (sensor side up)	152525
P1K0.0603.2ST.A.S	IEC 60751 F0.15 (A)	taped on reel (sensor side down)	152527
P1K0.0603.2ST.B	IEC 60751 F0.3 (B)	packed in bags	152534
P1K0.0603.2ST.B.S	IEC 60751 F0.3 (B)	taped on reel (sensor side up)	152535
P1K0.0603.2ST.B.S	IEC 60751 F0.3 (B)	taped on reel (sensor side down)	152536
P1K0.0603.2ST.C	IEC 60751 F0.6 (C)	packed in bags	152537
P1K0.0603.2ST.C.S	IEC 60751 F0.6 (C)	taped on reel (sensor side up)	152538
P1K0.0603.2ST.C.S	IEC 60751 F0.6 (C)	taped on reel (sensor side down)	152539



Innovative Sensor Technology IST AG, Stegrütistrasse 14, 9642 Ebnat-Kappel, Switzerland
 Phone: +41 71 992 01 00 | Fax: +41 71 992 01 99 | Email: info@ist-ag.com | www.ist-ag.com

All mechanical dimensions are valid at 25 °C ambient temperature, if not differently indicated • All data except the mechanical dimensions only have information purposes and are not to be understood as assured characteristics • Technical changes without previous announcement as well as mistakes reserved • The information on this data sheet was examined carefully and will be accepted as correct; No liability in case of mistakes • Load with extreme values during a longer period can affect the reliability • The material contained herein may not be reproduced, adapted, merged, translated, stored, or used without the prior written consent of the copyright owner • Typing errors and mistakes reserved • Product specifications are subject to change without notice • All rights reserved