



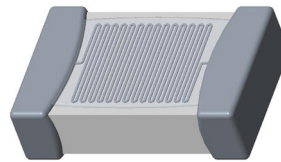
# P\_K\_.1206.2ST.\_ Platinum thin film RTD

## For the automatic assembling on PCBs

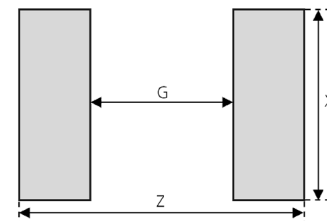
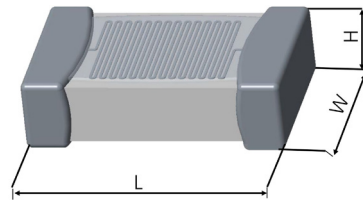
### Benefits & Characteristics

- Excellent long-term stability and resistance to thermal cycling
- Low self-heating
- Automatic assembly in large-volume applications

### Product image



### Illustration<sup>1)</sup>



### Dimensions

Dimensions in mm	<b>L</b>	<b>W</b>	<b>H</b>
	3.1 ± 0.15	1.6 ± 0.15	0.5 ± 0.1
Land pattern in mm	<b>Z</b>	<b>G</b>	<b>X</b>
	4.00	1.90	1.75

### Technical Data

#### Electrical Specifications

Operating temperature range	-50 °C to +150 °C (see general notes 1.1)	
Nominal resistance	100 Ω at 0 °C, 500 Ω at 0 °C, 1000 Ω at 0 °C	
Characteristic	IEC 60751	
Tolerance class (dependent on temperature range)	IST AG reference	
	IEC 60751 F0.15	A
	IEC 60751 F0.3	B
	IEC 60751 F0.6	C
Temperature coefficient	3850 ppm/K	
Temperature dependence of resistivity	according to IEC 60751:	
	-50 °C to 0 °C $R(T) = R_0 \times (1 + AxT + BxT^2 + Cx[T-100] \times T^3)$	
	0 to +150 °C $R(T) = R_0 \times (1 + AxT + BxT^2)$	
	A = $3.9083 \times 10^{-3} \times \text{°C}^{-1}$ , B = $-5.775 \times 10^{-7} \times \text{°C}^{-2}$	
	C = $-4.183 \times 10^{-12} \times \text{°C}^{-4}$	
	$R_0$ = resistance value in Ω at 0°C	
	T = temperature in accordance with ITS90	

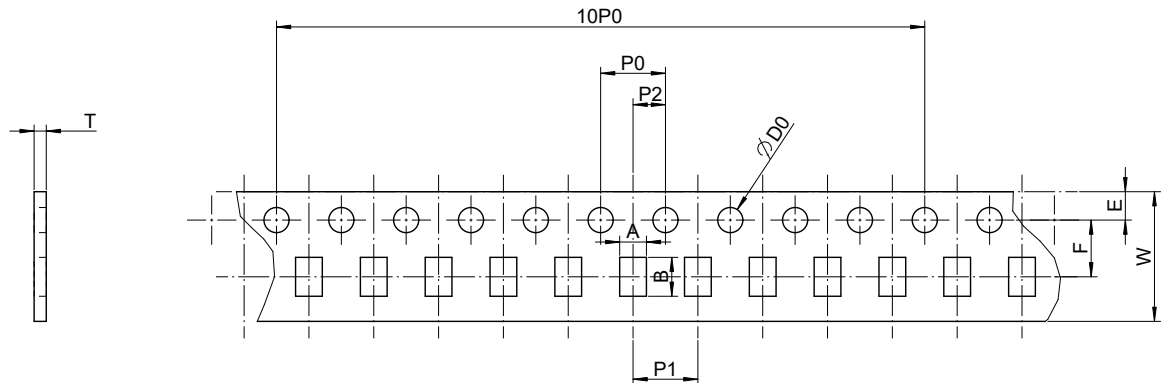


## General Specifications

Pads (soldering connection)	Soft-Termination galvanic tin plated with nickel barrier layer		
Soldering (according to J-STD-002E) see general notes 1.3	1. Solderability: Test A and A1 2. Resistance to soldering heat: Test A and A1		
Measuring current	Pt 100	Pt 500	Pt 1000
(Self-heating has to be considered)	1 mA	0.5 mA	0.3 mA
Long-term stability:	< 0.04 % at 1000 h at 130 °C		
Taping & Packaging (according to IEC 60286-3)	EIA-481 (for dimensions see general notes 1.2)		
Storage Property	12 months (original packaging and dry conditions)		
REACH + RoHs Compliance	Yes		
Special	Use in dry environment only		

## General Notes

- 1.1 The thermal coefficient of expansion of the circuit board has to be considered.  
1.2 Taping and Packaging:



Item	A	B	W	E	F	P0	P1	P2	D0	T	10P0
<b>Dimension</b>	1.9	3.5	8.0	1.75	3.5	4.0	4.0	2.0	1.5	0.6	40.0
<b>min. Tol.</b>	-0.1	-0.1	-0.3	-0.1	-0.05	-0.1	-0.1	-0.05	-0.0	-0.1	-0.2
<b>max. Tol.</b>	+0.1	+0.1	+0.3	+0.1	+0.05	+0.1	+0.1	+0.05	+0.1	+0.1	+0.2

Dimensions in mm

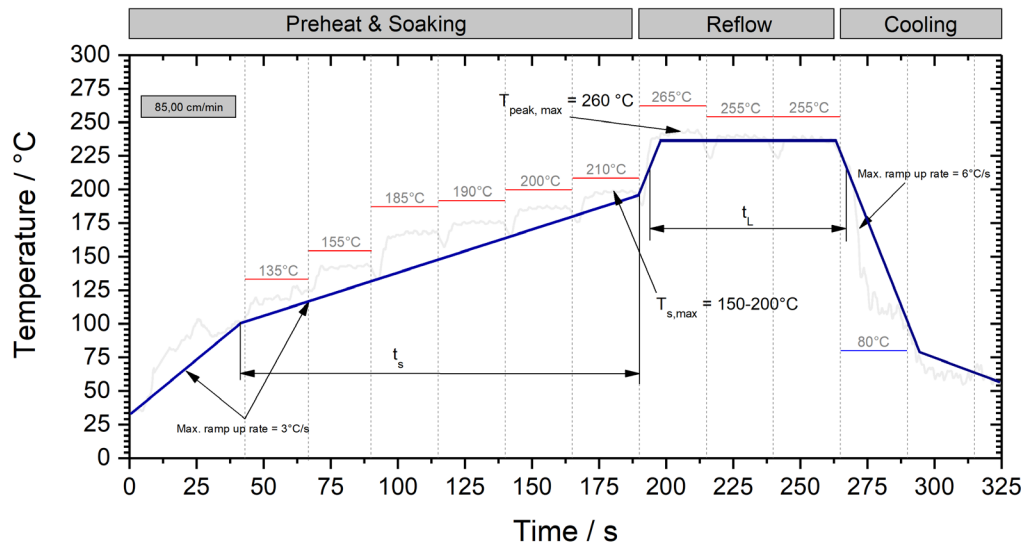
Packaging unit in tape and reel, special variants, small quantities or other packaging unit are available on request.



### 1.3 Soldering and Reflow soldering profile:

For soldering IST AG recommends lead free solder paste (Material: SnAgCu 96.5/3.0/0.5) and a temperature characteristic (reflow profile) for reflow according to JEDEC J-STD-002E. The solderability was tested with following assembly conditions:

PCB Material FR4 (PCB Layer: 2)  
 PCB thickness: 1.6 mm  
 Dimensions: 72 x 32 mm  
 Solder Paste: KOKI «S3X58-M406» (Pb-free assembly)



Profile parameter	Temperature range / °C	Heating rate / °C/s	Time / s
Ramp to Preheat	RT to 150	1.9 - 3	
Preheat / Soak	$T_{s,min} = 100, T_{s,max} = 200$	1.9 - 3	$t_{s,min} = 60, t_{s,max} = 160$
Ramp to Peak	180 - 255	0.6	
Reflow	$250 \pm 5, T_{peak,max} = 260$		60 to 120, $t_{peak,max} = 30$
Cooling	255 - RT	1.6 - 3	

\*Temperature is measured on topside of PCB.

### 1.4 Important Notes:

- The solder or additional fluxes should be halogen-free, mild and non-activated.
- After soldering, a thorough cleaning with pH-neutral defluxing material is recommended.
- The profile has a significant impact on the solder joint performance, i.e. solderability, wettability and strength.
- The soak profile and all other data serve as a guideline and cannot be regarded as binding statements or guaranteed values. They serve as a starting point for process development. Specifically, a high mix of components or large board sizes might require the development of a different soldering profile.
- Long-term stability in the application and chemical resistance need to be approved by the customer.
- The customer is obliged to test and approve the suitability of IST AG sensors in the customer's application.



## Order Information

Description	Tolerance class	Packaging type	Order number
Other tolerances, values of resistance are available on request			

### Nominal resistance: 100 Ω at 0 °C

P0K1.1206.2ST.A	IEC 60751 F0.15 (A)	packed in bags	153288
P0K1.1206.2ST.A.S	IEC 60751 F0.15 (A)	taped on reel (sensor side up)	153303
P0K1.1206.2ST.A.S	IEC 60751 F0.15 (A)	taped on reel (sensor side down)	153481
P0K1.1206.2ST.B	IEC 60751 F0.3 (B)	packed in bags	153289
P0K1.1206.2ST.B.S	IEC 60751 F0.3 (B)	taped on reel (sensor side up)	153304
P0K1.1206.2ST.B.S	IEC 60751 F0.3 (B)	taped on reel (sensor side down)	153482
P0K1.1206.2ST.C	IEC 60751 F0.6 (C)	packed in bags	153290
P0K1.1206.2ST.C.S	IEC 60751 F0.6 (C)	taped on reel (sensor side up)	153305
P0K1.1206.2ST.C.S	IEC 60751 F0.6 (C)	taped on reel (sensor side down)	153483

### Nominal resistance: 500 Ω at 0 °C

P0K5.1206.2ST.A	IEC 60751 F0.15 (A)	packed in bags	153296
P0K5.1206.2ST.A.S	IEC 60751 F0.15 (A)	taped on reel (sensor side up)	153476
P0K5.1206.2ST.A.S	IEC 60751 F0.15 (A)	taped on reel (sensor side down)	153495
P0K5.1206.2ST.B	IEC 60751 F0.3 (B)	packed in bags	153297
P0K5.1206.2ST.B.S	IEC 60751 F0.3 (B)	taped on reel (sensor side up)	153477
P0K5.1206.2ST.B.S	IEC 60751 F0.3 (B)	taped on reel (sensor side down)	153496
P0K5.1206.2ST.C	IEC 60751 F0.6 (C)	packed in bags	153301
P0K5.1206.2ST.C.S	IEC 60751 F0.6 (C)	taped on reel (sensor side up)	153478
P0K5.1206.2ST.C.S	IEC 60751 F0.6 (C)	taped on reel (sensor side down)	153498

### Nominal resistance: 1000 Ω at 0 °C

P1K0.1206.2ST.A	IEC 60751 F0.15 (A)	packed in bags	153291
P1K0.1206.2ST.A.S	IEC 60751 F0.15 (A)	taped on reel (sensor side up)	153470
P1K0.1206.2ST.A.S	IEC 60751 F0.15 (A)	taped on reel (sensor side down)	153484
P1K0.1206.2ST.B	IEC 60751 F0.3 (B)	packed in bags	153293
P1K0.1206.2ST.B.S	IEC 60751 F0.3 (B)	taped on reel (sensor side up)	153472
P1K0.1206.2ST.B.S	IEC 60751 F0.3 (B)	taped on reel (sensor side down)	153485
P1K0.1206.2ST.C	IEC 60751 F0.6 (C)	packed in bags	153294
P1K0.1206.2ST.C.S	IEC 60751 F0.6 (C)	taped on reel (sensor side up)	153473
P1K0.1206.2ST.C.S	IEC 60751 F0.6 (C)	taped on reel (sensor side down)	153486



Innovative Sensor Technology IST AG, Stegrütistrasse 14, 9642 Ebnat-Kappel, Switzerland  
 Phone: +41 71 992 01 00 | Fax: +41 71 992 01 99 | Email: info@ist-ag.com | www.ist-ag.com

All mechanical dimensions are valid at 25 °C ambient temperature, if not differently indicated • All data except the mechanical dimensions only have information purposes and are not to be understood as assured characteristics • Technical changes without previous announcement as well as mistakes reserved • The information on this data sheet was examined carefully and will be accepted as correct; No liability in case of mistakes • Load with extreme values during a longer period can affect the reliability • The material contained herein may not be reproduced, adapted, merged, translated, stored, or used without the prior written consent of the copyright owner • Typing errors and mistakes reserved • Product specifications are subject to change without notice • All rights reserved