

HYT.R.411 RH/T Module

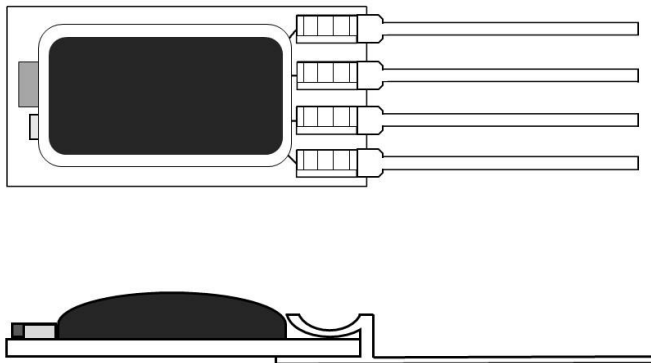
Fast Responding Humidity and Temperature Module Ideal for weather balloons and drones

Benefits & characteristics

- Fast response time
- Precise measurement at low temperatures and at high altitudes
- Excellent RH/T reproducibility
- Fully factory-calibrated, exchangeable module
- Digital 1°C interface



Illustration ¹⁾



1) For actual size see mechanical dimensions



Technical data



Operating temperature range: -80 to + 50°C



Operating humidity range: 0 % RH to 100 % RH



Temperature error: 0.05 % RH/K (0 °C to +60 °C)



Current consumption (nominal): < 80 µA at 10 Hz measuring rate



Digital interface: I²C, address 0x28; 32 bit for humidity and temperature



Operating voltage: 2.1 V to 3.6 V

Max. voltage (any pin to GND): -0.3 V to 4 V

Storage conditions: -20 °C to + 50 °C

	Humidity Sensor	Temperature Sensor
Accuracy:	±2 % RH at 23 °C (0 % RH to 90 % RH)	±0.5 K (-80 °C to 0 °C) ±0.2 K (0 °C to +50 °C)
Reproducibility:	±0.2 % RH	±0.1 °C
Resolution:	0.04 % RH	+0.015 °C
Response time t ₆₃ :	< 0.5 s at 23 °C	< 2 s
Long-term drift:	< 0.5 % RH/a at +23 °C, 30 – 70 % RH (laboratory conditions) Exposure to VOCs can lead to higher values.	< 0.05 K/a

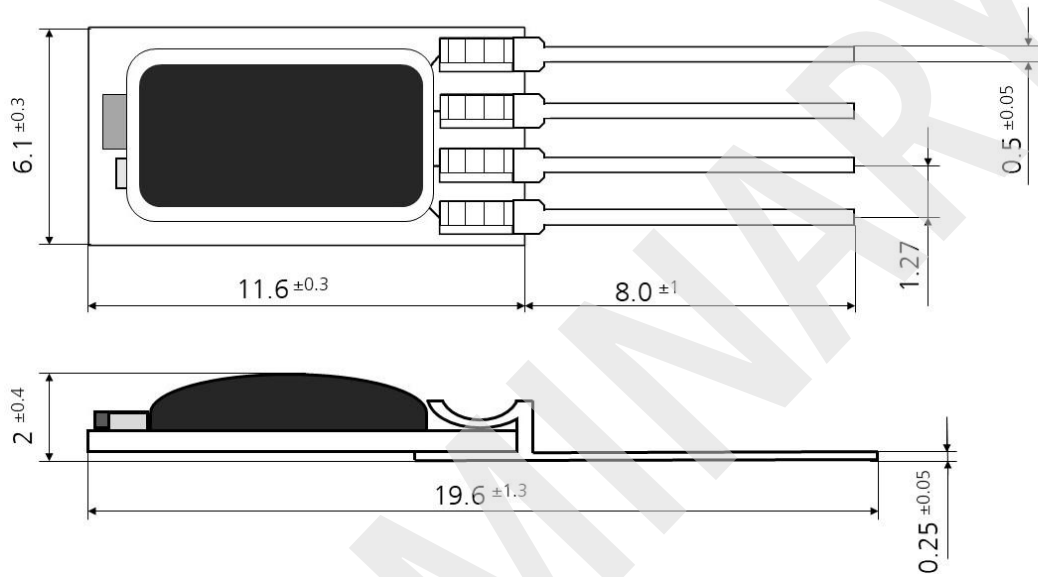
[Please find more details in HYT Modules application note](#)

Measuring principle	Capacitive polymer humidity sensor	Pt1000
---------------------	------------------------------------	--------

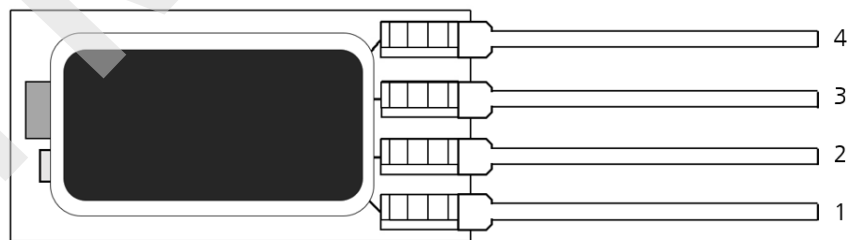
Custom calibration available on request



Mechanical dimensions



Pin Assignment



1	2	3	4
SDA	GND	VDD	SCL



Order Information

Product name	HYT.R411.P2032.0.KK.SA.S
Order code	153690

Additional Documents

	Document name:
Application Note:	AHHYTM_E



Innovative Sensor Technology IST AG • Stegrütistrasse 14 • 9642 Ebnat-Kappel • Switzerland
+41 71 992 01 00 • info@ist-ag.com • www.ist-ag.com

Technical specifications are subject to change without prior notice. The information contained in this data sheet has been carefully reviewed and is believed to be accurate; however, no liability is assumed for any errors or omissions. Continuous exposure to extreme operating conditions may impact product lifetime or reliability. The customer is solely responsible for assessing the suitability and fitness of the product for their specific application. This product is not designed, authorized, or warranted for use in life support or safety-critical applications. The customer agrees to hold the supplier harmless from any claims, damages, or liabilities arising from such use. No explicit or implied warranties, including but not limited to warranties of merchantability or fitness for a particular purpose, are provided. The material provided herein may not be reproduced, adapted, merged, translated, stored, or utilized in any form without prior written consent from the copyright holder. No transfer of any intellectual property rights is granted or implied. All rights reserved.