



LFS.1505.2L.20-4



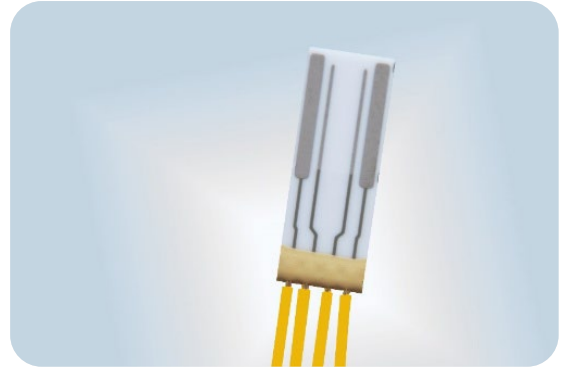
Conductivity sensor

Low-cost alternative without integrated temperature sensor

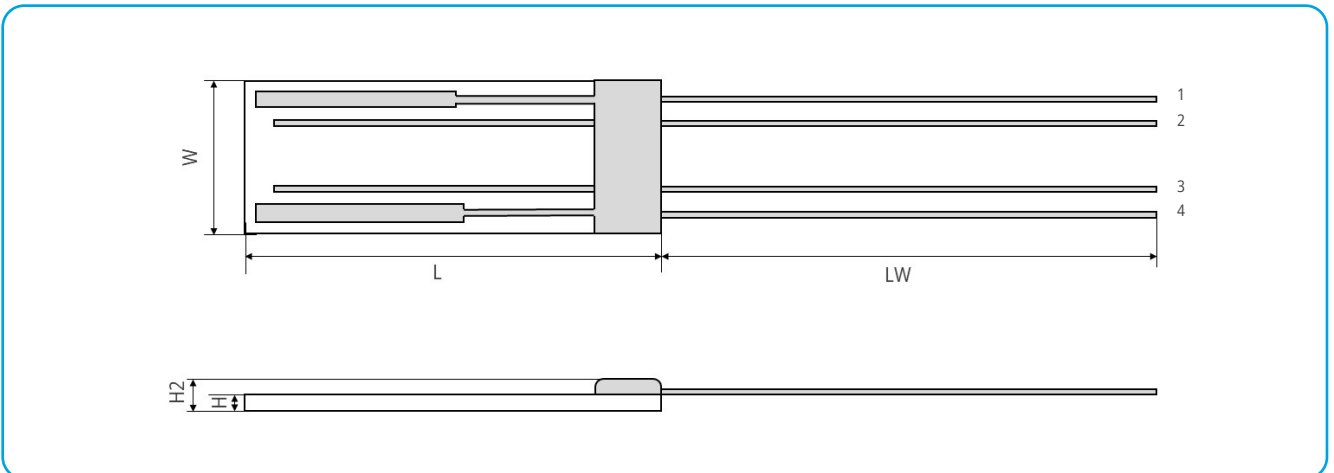


Benefits & characteristics

- Wide conductivity range
- Fast response time
- Optimal accuracy
- Resistance to various chemicals ¹⁾
- Excellent long-term stability
- Four-electrode measurement
- Customer-specific sensor available upon request



Dimensions and pin assignment



Dimensions [mm]	L	B	H	H2	LW
	15 ± 0.3	5.5 ± 0.3	0.6 ± 0.1	1.3 ± 0.3	20 ± 1
Lead wires	Cu/Ag stranded wires, AWG28/7				
Pin assignment	1	2	3	4	
I: applied current	I1	V1	V2	I2	
V: measured voltage					

¹⁾ Aggressive media can influence the long-term stability. Chemical resistance of the sensor in the end application must be tested by the customer



General specifications



Conductivity range:	100 $\mu\text{S}/\text{cm}$ to 100 mS/cm
Cell constant:	Typical 0.68 cm^{-1}
Measurement frequency range:	100 Hz to 10 kHz
Maximum excitation voltage (between pin 1 and pin 4):	< 0.7 Vpp (electrolysis of the analyte has to be avoided)
Operating temperature range:	-30°C to +100°C
Storage temperature:	-20°C to +100°C

Order Information

Order code	Product name
154008	LFS.1505.2L.20-4



Innovative Sensor Technology IST AG • Stegrütistrasse 14 • 9642 Ebnat-Kappel • Switzerland
+41 71 992 01 00 • info@ist-ag.com • www.ist-ag.com

Technical specifications are subject to change without prior notice. The information contained in this data sheet has been carefully reviewed and is believed to be accurate; however, no liability is assumed for any errors or omissions. Continuous exposure to extreme operating conditions may impact product lifetime or reliability. The customer is solely responsible for assessing the suitability and fitness of the product for their specific application. This product is not designed, authorized, or warranted for use in life support or safety-critical applications. The customer agrees to hold the supplier harmless from any claims, damages, or liabilities arising from such use. No explicit or implied warranties, including but not limited to warranties of merchantability or fitness for a particular purpose, are provided. The material provided herein may not be reproduced, adapted, merged, translated, stored, or utilized in any form without prior written consent from the copyright holder. No transfer of any intellectual property rights is granted or implied. All rights reserved.