



Tsic™ Temperature Sensors IC



Application Notes

ZACwire™ Digital Output



IST TSic™ Temperature Sensor IC Application Notes – ZACwire™ Digital Output

CONTENTS

1	TSIC™ ZACWIRE™ COMMUNICATION PROTOCOL.....	2
1.1	TEMPERATURE TRANSMISSION PACKET FROM A TSIC™.....	2
1.2	BIT ENCODING.....	3
1.3	HOW TO READ A PACKET.....	3
1.4	HOW TO READ A PACKET USING A μCONTROLLER.....	4
1.4.1	HOW OFTEN DOES THE TSIC™ TRANSMIT?.....	4
1.4.2	SOLUTIONS IF REAL TIME SYSTEM CANNOT TOLERATE THE TSIC™ INTERRUPTING THE μCONTROLLER.....	4
2	APPENDIX A: AN EXAMPLE OF PIC1 ASSEMBLY CODE FOR READING THE ZACWIRE™	5



INNOVATIVE SENSOR TECHNOLOGY



Tsic™ Temperature Sensors IC

Application Notes

ZACwire™ Digital Output

1 TSic™ ZACwire™ Communication Protocol

ZACwire™ is a single wire bi-directional communication protocol. The bit encoding is similar to Manchester in that clocking information is embedded into the signal (falling edges of the signal happen at regular periods). This allows the protocol to be largely insensitive to baud rate differences between the two ICs communicating.

In end-user applications, the TSic™ will be transmitting temperature information, and another IC in the system (most likely a μ Controller) will be reading the temperature data over the ZACwire™.

1.1 Temperature Transmission Packet from a TSic™

The TSic™ transmits 1-byte packets. These packets consist of a start bit, 8 data bits, and a parity bit. The nominal baud rate is 8kHz (125microsec bit window). The signal is normally high. When a transmission occurs, the start bit occurs first followed by the data bits (MSB first, LSB last). The packet ends with an even parity bit.

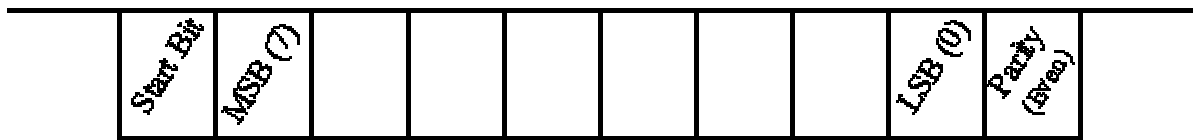


Figure 1.1 – ZACwire™ Transmission Packet

The TSic™ provides temperature data with 11-bit resolution, and obviously these 11-bits of information cannot be conveyed in a single packet. A complete temperature transmission from the TSic™ consists of two packets. The first packet contains the most significant 3-bits of temperature information, and the second packet contains the least significant 8-bits of temperature information. There is a single bit window of high signal (stop bit) between the end of the first transmission and the start of the second transmission.

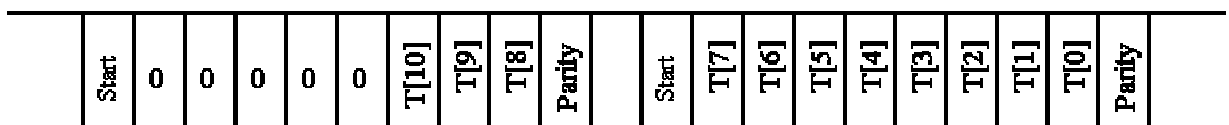


Figure 1.2 – Full ZACwire™ Temperature Transmission from TSic™



INNOVATIVE SENSOR TECHNOLOGY



Tsic™ Temperature Sensors IC

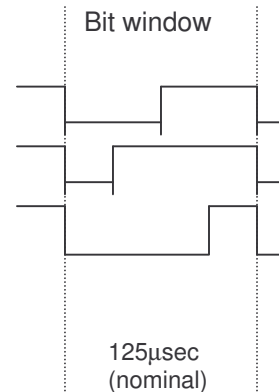
Application Notes

ZACwire™ Digital Output

1.2 Bit Encoding

The bit format is duty cycle encoded:

- Start bit => 50% duty cycle used to set up strobe time
- Logic 1 => 75% duty cycle
- Logic 0 => 25% duty cycle



Perhaps the best way to show the bit encoding is with an oscilloscope trace of a ZACwire™ transmission. The following shows a single packet of 96Hex being transmitted. Because 96Hex is already even parity, the parity bit is zero.

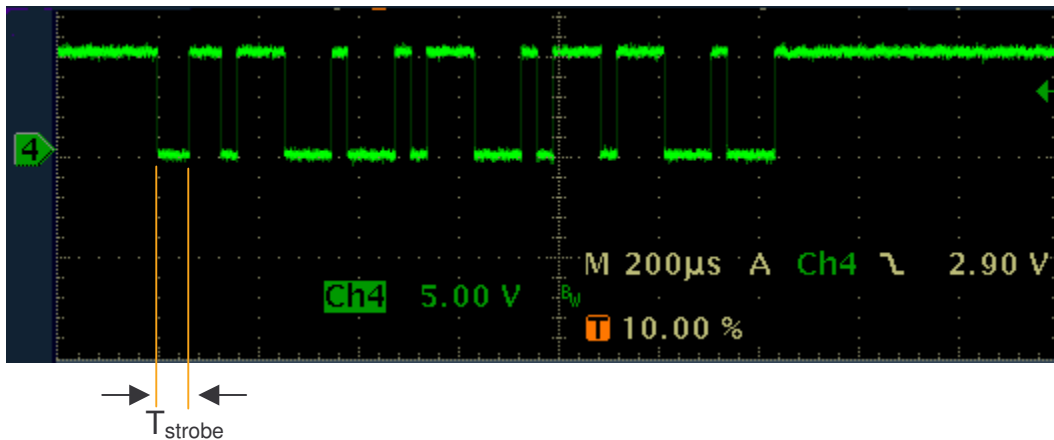


Figure 1.3 – ZACwire™ Transmission

1.3 How to Read a Packet

When the falling edge of the start bit occurs, measure the time until the rising edge of the start bit. This time (T_{strobe}) is the strobe time. When the next falling edge occurs, wait for a time period equal to T_{strobe} , and then sample the ZACwire™ signal. The data present on the signal at this time is the bit being transmitted. Because every bit starts with a falling edge, the sampling window is reset with every bit transmission. This means errors will not accrue for bits downstream from the start bit, as it would with a protocol such as RS232. It is recommended, however, that the sampling rate of the ZACwire™ signal when acquiring the start bit be at least 16x the nominal baud rate. Because the nominal baud rate is 8kHz, a 128kHz sampling rate is recommended when acquiring T_{strobe} .



INNOVATIVE SENSOR TECHNOLOGY



TEMPERATURE



HUMIDITY



FLOW

Tsic™ Temperature Sensors IC

Application Notes

ZACwire™ Digital Output

1.4 How to Read a Packet using a μ Controller

It is best to connect the ZACwire™ signal to a pin of the μ Controller that is capable of causing an interrupt on a falling edge. When the falling edge of the start bit occurs, it causes the μ Controller to branch to its ISR. The ISR enters a counting loop incrementing a memory location (Tstrobe) until it sees a rise on the ZACwire™ signal. When Tstrobe has been acquired, the ISR can simply wait for the next 9 falling edges (8-data, 1-parity). After each falling edge, it waits for Tstrobe to expire and then sample the next bit.

The ZACwire™ line is driven by a strong CMOS push/pull driver. The parity bit is intended for use when the ZACwire™ is driving long (>2m) interconnects to the μ Controller in a noisy environment. For systems in which the “noise environment is more friendly,” the user can choose to have the μ Controller ignore the parity bit.

In the appendix of this document is sample code for reading a TSic™ ZACwire™ transmission using a PIC16F627 μ Controller.

1.4.1 How Often Does the TSic™ Transmit?

If the TSic™ is being read via an ISR, how often is it interrupting the μ Controller with data? The update rate of the TSic™ can be programmed to one of 4 different settings: 250Hz, 10Hz, 1Hz, and 0.1Hz. Servicing a temperature-read ISR requires about 2.7ms. If the update rate of the TSic™ is programmed to 250Hz, then the μ Controller spends about 66% of its time reading the temperature transmissions. If, however, the update rate is programmed to something more reasonable like 1Hz, then the μ Controller spends about 0.27% of its time reading the temperature transmissions.

1.4.2 Solutions if Real Time System Cannot Tolerate the TSic™ Interrupting the μ Controller

Some real time systems cannot tolerate the TSic™ interrupting the μ Controller. The μ Controller must initiate the temperature read. This can be accomplished by using another pin of the μ Controller to supply VDD to the TSic™. The TSic™ will transmit its first temperature reading approximately 65-85ms after power up. When the μ Controller wants to read the temperature, it first powers the TSic™ using one of its port pins. It will receive a temperature transmission approximately 65 to 85ms later. If during that 85ms, a higher priority interrupt occurs, the μ Controller can simply power down the TSic™ to ensure it will not cause an interrupt or be in the middle of a transmission when the high priority ISR finishes. This method of powering the TSic™ has the additional benefit of acting like a power down mode and reducing the quiescent current from a nominal 45 μ A to zero. The TSic™ is a mixed signal IC and provides best performance with a clean VDD supply. Powering through a μ Controller pin does subject it to the digital noise present on the μ Controller's power supply. Therefore it is best to use a simple RC filter when powering the TSic™ with a μ Controller port pin. See the diagram below.



INNOVATIVE SENSOR TECHNOLOGY

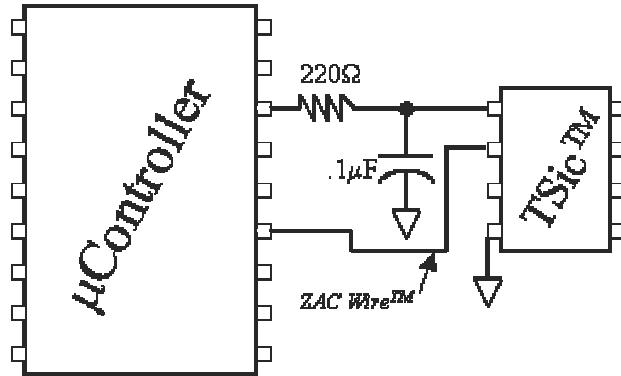


Tsic™ Temperature Sensors IC

Application Notes

ZACwire™ Digital Output

µController powers TSic™ with a port pin through a simple RC filter.



2 Appendix A: An Example of PIC1 Assembly Code for Reading the ZACwire™

In the following code example, it is assumed that the ZACwire™ pin is connected to the interrupt pin (PORTB, 0) of the PIC and that the interrupt is configured for falling edge interruption. This code should work for a PIC running between 2-12MHz.

```

TEMP_HIGH EQU 0X24 ;; MEMORY LOCATION RESERVED FOR TEMP HIGH BYTE
TEMP_LOW EQU 0X25 ;; MEMORY LOCATION RESERVED FOR TEMP LOW BYTE
;; THIS BYTE MUST BE CONSECUTIVE FROM TEMP_HIGH

LAST_LOC EQU 0X26 ;; THIS BYTE MUST BE CONSECUTIVE FROM TEMP_LOW
TSTROBE EQU 0X26 ;; LOCATION TO STORE START BIT STROBE TIME.
ORG 0X004 ;; ISR LOCATION

;;;;;;;;;;;;;;;;;;;;;;;;;;;;;;;;;;;;;;;;;;;;;;;;;;;;;;;;;;;;;;;;;;;;;;;;;;;;;;;;
;; CODE TO SAVE ANY NEEDED STATE AND TO DETERMINE THE SOURCE OF THE ISR ;;
;; GOES HERE. ONCE YOU HAVE DETERMINED THE SOURCE IF THE INTERRUPT WAS ;;
;; A ZAC WIRE TRANSMISSION THEN YOU BRANCH TO ZAC_TX ;;
;;;;;;;;;;;;;;;;;;;;;;;;;;;;;;;;;;;;;;;;;;;;;;;;;;;;;;;;;;;;;;;;;;;;;;;;;;;;;;;;
ZAC_TX: MOVLW TEMP_HIGH ;; MOVE ADDRESS OF TEMP_HIGH (0X24) TO W REG
MOVWF FSR ;; FSR = INDIRECT POINTER, NOW POINTING TO TEMP_HIGH
GET_TLOW: MOVLW 0X02 ;; START TSTROBE COUNTER AT 02 TO ACCOUNT FOR
MOVWF TSTROBE ;; OVERHEAD IN GETTING TO THIS POINT OF ISR
CLRF INDF ;; CLEAR THE MEMORY LOCATION POINTED TO BY FSR

```



INNOVATIVE SENSOR TECHNOLOGY



TEMPERATURE



HUMIDITY



FLOW

TsicTM Temperature Sensors IC

Application Notes

ZACwireTM Digital Output

```

STRB:      INCF   TSTROBE,1      ;; INCREMENT TSTROBE

           BTFSC  STATUS,Z      ;; IF TSTROBE OVERFLOWED TO ZERO THEN
           GOTO   RTI           ;; SOMETHING WRONG AND RETURN FROM INTERRUPT
           BTFSS  PORTB,0       ;; LOOK FOR RISE ON ZAC WIRE
           GOTO   STRB          ;; IF RISE HAS NOT YET HAPPENED INCREMENT TSTROBE

           CLRF   BIT_CNT       ;; MEMORY LOCATION USED AS BIT COUNTER
BIT_LOOP:  CLRF   STRB_CNT      ;; MEMORY LOCATION USED AS STROBE COUNTER
           CLRF   TIME_OUT      ;; MEMORY LOCATION USED FOR EDGE TIME OUT
WAIT_FALL: BTFSS  PORTB,0       ;; WAIT FOR FALL OF ZAC WIRE
           GOTO   PAUSE_STRB    ;; NEXT FALLING EDGE OCCURRED
           INCFSZ TIME_OUT,1     ;; CHECK IF EDGE TIME OUT COUNTER OVERFLOWED
           GOTO   RTI           ;; EDGE TIME OUT OCCURRED.
           GOTO   WAIT_FALL

PAUSE_STRB: INCF   STRB_CNT,1    ;; INCREMENT THE STROBE COUNTER
           MOVF   TSTROBE,0     ;; MOVE TSTROBE TO W REG
           SUBWF  STRB_CNT,0     ;; COMPARE STRB_CNT TO TSTROBE
           BTFSS  STATUS,Z      ;; IF EQUAL THEN IT IS TIME TO STROBE
           GOTO   PAUSE_STRB    ;; ZAC WIRE FOR DATA, OTHERWISE KEEP COUNTING
           ;; LENGTH OF THIS LOOP IS 6-STATES. THIS HAS TO
           ;; MATCH THE LENGTH OF THE LOOP THAT ACQUIRED TSTROBE
           BCF    STATUS,C      ;; CLEAR THE CARRY
           BTFSC  PORTB,0       ;; SAMPLE THE ZAC WIRE INPUT
           BSF    STATUS,C      ;; IF ZAC WIRE WAS HIGH THEN SET THE CARRY
           RLF    INDF,1        ;; ROTATE CARRY=ZAC WIRE INTO LSB OF REGISTER
           ;; THAT FSR CURRENTLY POINTS TO
           CLRF   TIME_OUT      ;; CLEAR THE EDGE TIMEOUT COUNTER

```



INNOVATIVE SENSOR TECHNOLOGY



TEMPERATURE



HUMIDITY



FLOW

TsicTM Temperature Sensors IC

Application Notes

ZACwireTM Digital Output

```

WAIT_RISE:   BTFSC  PORTB,0           ;; IF RISE HAS OCCURRED THEN WE ARE DONE
             GOTO   NEXT_BIT
             INCFSZ TIME_OUT,1       ;; INCREMENT THE EDGE TIME OUT COUNTER
             GOTO   WAIT_RISE
             GOTO   RTI               ;; EDGE TIME OUT OCCURRED.

NEXT_BIT:    INCF   BIT_CNT,1        ;; INCREMENT BIT COUNTER
             MOVLW 0X08              ;; THERE ARE 8-BITS OF DATA
             SUBWF  BIT_CNT,0        ;; TEST IF BIT COUNTER AT LIMIT
             BTFSS  STATUS,Z        ;; IF NOT ZERO THEN GET NEXT BIT
             GOTO   BIT_LOOP

             CLRF   TIME_OUT         ;; CLEAR THE EDGE TIME OUT COUNTER
WAIT_PF:     BTFSS  PORTB,0         ;; WAIT FOR FALL OF PARITY
             GOTO   P_RISE
             INCFSZ TIME_OUT,1       ;; INCREMENT TIME_OUT COUNTER
             GOTO   WAIT_PF
             GOTO   RTI              ;; EDGE TIMEOUT OCCURRED

P_RISE:      CLRF   TIME_OUT         ;; CLEAR THE EDGE TIME OUT COUNTER
WAIT_PR:     BTFSC  PORTB,0         ;; WAIT FOR RISE OF PARITY
             GOTO   NEXT_BYTE
             INCFSZ TIME_OUT,1       ;; INCREMENT EDGE TIME OUT COUNTER
             GOTO   WAIT_PR
             GOTO   RTI              ;; EDGE TIME OUT OCCURRED

```



INNOVATIVE SENSOR TECHNOLOGY



Tsic™ Temperature Sensors IC



Application Notes

ZACwire™ Digital Output



```

NEXT_BYTE:   INCF   FSR,1           ;; INCREMENT THE INDF POINTER

              MOVLW  LAST_LOC

              SUBWF  FSR,0           ;; COMPARE FSR TO LAST_LOC

              BTFSS  STATUS,Z       ;; IF EQUAL THEN DONE

              GOTO   WAIT_TLOW

              ;;;;;;;;;;;;;;;;;;;;;;;;;;;;;;;;;;;;;;;;;;;;;;;;;;;;;;;;;;;;;;;;;;
              ;; IF HERE YOU ARE DONE READING THE ZAC WIRE AND HAVE THE DATA ;;
              ;; IN TEMP_HIGH & TEMP_LOW                                     ;;
              ;;;;;;;;;;;;;;;;;;;;;;;;;;;;;;;;;;;;;;;;;;;;;;;;;;;;;;;;;;;;;;;;;;

WAIT_TLOW:   CLRF   TIME_OUT

WAIT_TLF:   BTFSS  PORTB,0         ; WAIT FOR FALL OF PORTB,0 INDICATING
              GOTO   GET_TLOW       ; START OF TEMP LOW BYTE

              INCFSZ TIME_OUT

              GOTO   WAIT_TLF

              GOTO   RTI             ; EDGE TIMEOUT OCCURRED

RTI:        ;;;;;;;;;;;;;;;;;;;;;;;;;;;;;;;;;;;;;;;;;;;;;;;;;;;;;;;;;;;;;;;;;;
              ;; RESTORE ANY STATE SAVED OFF AT BEGINNING OF ISR ;;
              ;;;;;;;;;;;;;;;;;;;;;;;;;;;;;;;;;;;;;;;;;;;;;;;;;;;;;;;;;;;;;;;;;;

              BCF   INTCON,INTF    ;; CLEAR INTERRUPT FLAG

              BSF   INTCON,INTE    ;; ENSURE INTERRUPT RE-ENABLED

              RETFIE                ;; RETURN FROM INTERRUPT

              ;;;;;;;;;;;;;;;;;;;;;;;;;;;;;;;;;;;;;;;;;;;;;;;;;;;;;;;;;;;;;;;;;;

```



INNOVATIVE SENSOR TECHNOLOGY

